

Packing innovation to be proud of



Avercon brings a practical *shelf-ready* packing machine onto the market

Packing products in such a way that you can put them immediately onto the shop shelves: The new shelf-ready packing machine from Avercon Packaging Solutions makes it possible. With that, this company from Eeklo in Belgium is once more putting its stamp on the packaging industry.

Commercially attractive packaging

Avercon gives a helping hand to shelf fillers. Because, thanks to our *shelf-ready* packing machine, they can now fill the shop shelves in no time at all.

Geert Van Loocke, Sales Manager of Avercon says: "The machine packs bottles and beakers in a commercially attractive packaging. It consists of a base and a cover made of corrugated cardboard. Once it arrives in the shop, the shelf filler only takes off the upper cover and slides the cardboard tray onto the shelf as is. That's highly practical, because a cutting knife or scissors are unnecessary. And it's neat, because you do not see any frayed tears or cutting edges. And it is commercially attractive because, with the exception of a small edge at the bottom, the product is completely visible.

Higher turnover, lower costs

The *shelf-ready* packing machine not only makes the day-to-day work of supermarket employees easier. Packaging companies, too, are accepting this innovative machine with open arms, because they can produce more quickly and cost-effectively.

Geert Van Loocke: "The machine processes 25 cartons per minute. This high speed is achieved thanks to simple accessories and a smooth conversion. Due to the built-in feedback system a changeover to a different type of packaging proceeds without problems - no more faltering production with all kinds of new adjustments. The result?



More *output*, which also remains constant with smaller boxes. That means a higher turnover and lower production costs. Because the *shelf-ready* packaging is made with less cardboard than standard packaging. A company manager now only has to buy a *single machine* for *three* different types of packaging: Closed packaging, a display tray and a *shelf-ready* tray with cover."

Machines that wrap it up for you

With the *shelf-ready* packing machine, Avercon is once more presenting an attractive innovation. That has been the focus of the company since 1986. Back then we still made simple machines, and today we produce customer-oriented packing machines. These are designed and developed by Avercon. For this we have a staff of 40 highly skilled employees at our disposal.

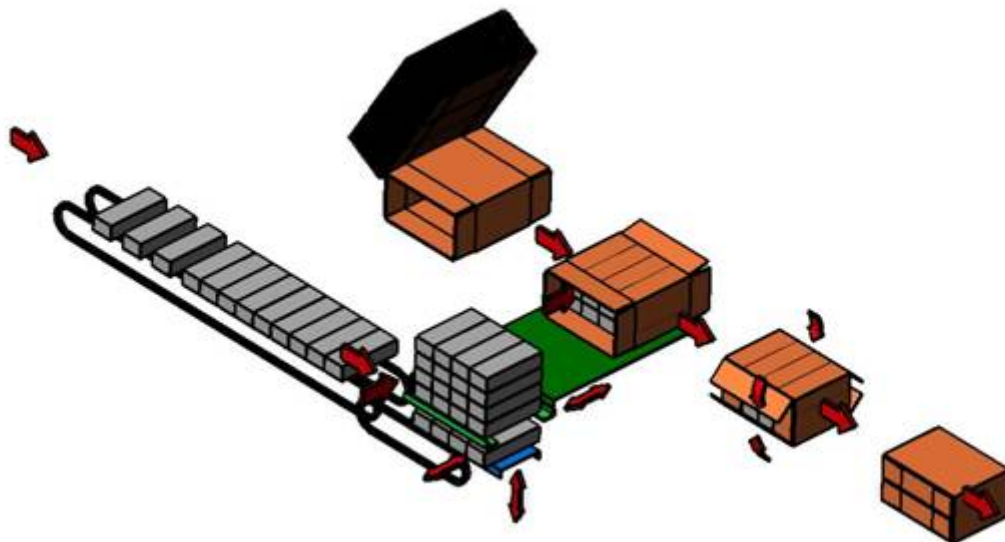
Geert Van Loocke: "Our focus is on user-friendly and cost-effective automation solutions. And we do not lose sight of the needs of the machine operators: Our packing machines are simple to operate and provide excellent ergonomics. They completely convince every customer."



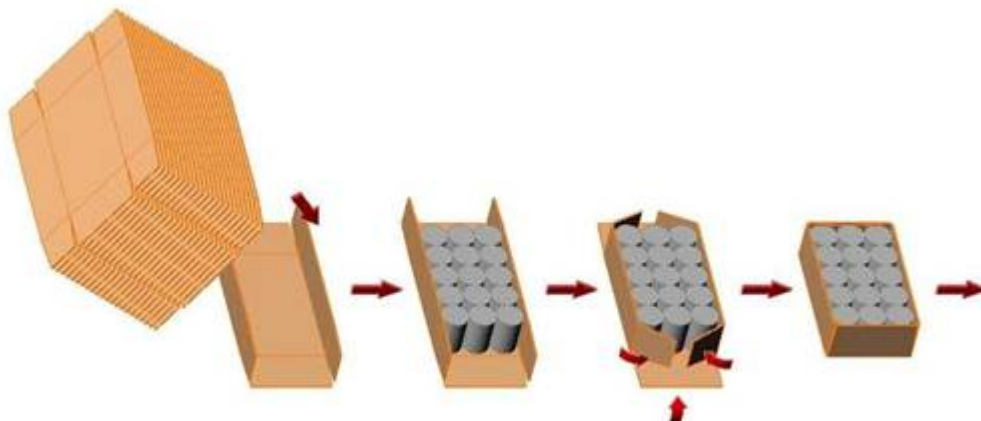
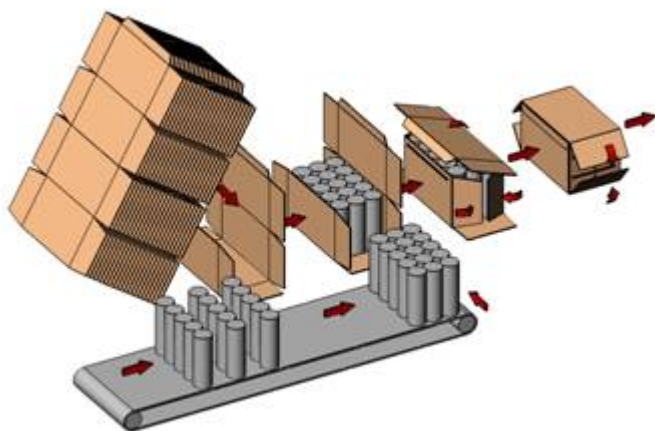
avercon

PACKAGING SOLUTIONS

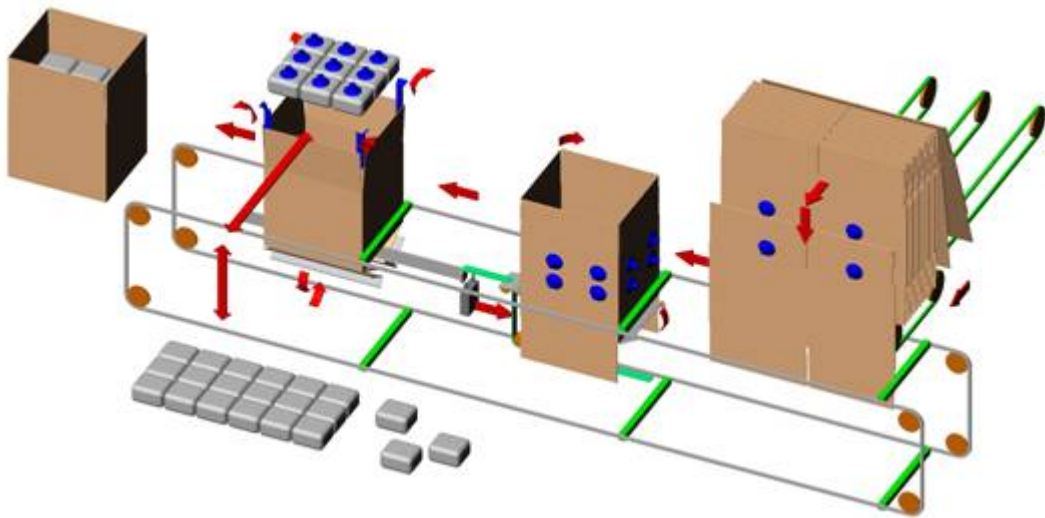
Side loaders to erect, fill and close Fefco 0201 boxes (=RSC)



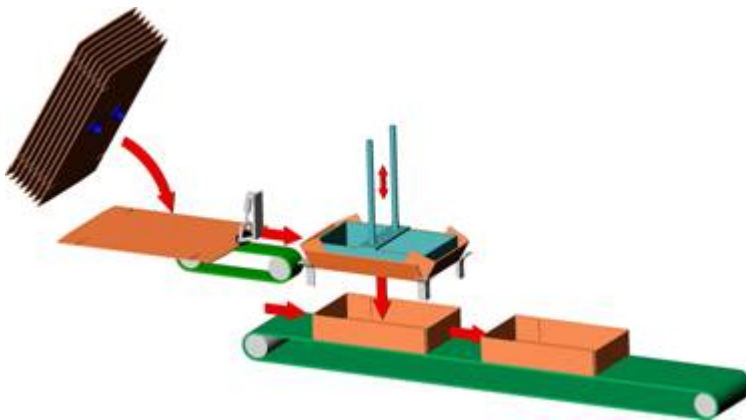
Wrap Around / Tray packer to erect, fill and close Fefco 0406 / fefco 0453



Top loading systems for Fefco 0201 or 0200.



Tray erecting machines for Fefco 0453 or 0452 (or similar)



To make a four point glued box we will start from a blank 0453, glue and erect it. (See sketch above for tray erecting)

Machine for multiple layer packaging are possible. Inserting horizontal divide sheets is also possible.



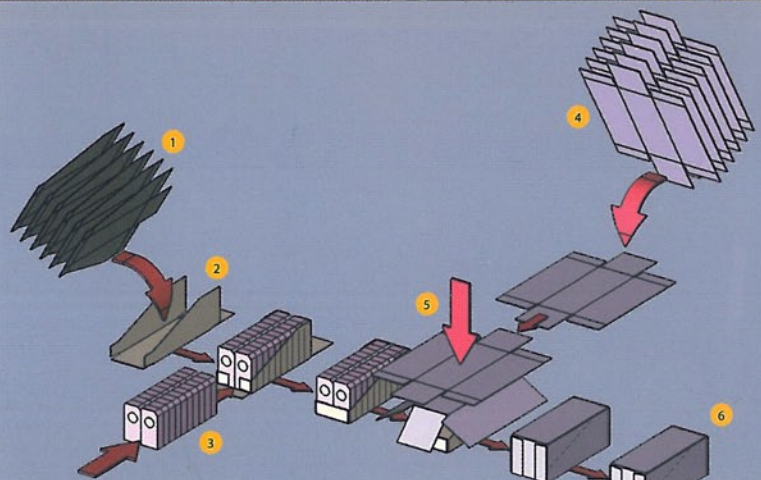
SRP: Shelf Ready Packaging machine: automatically erects, loads and closes trays + lid

- With or without lid
- Easy and fast change over (< 15 min.)
- Closing with hotmelt glue
- Large size range



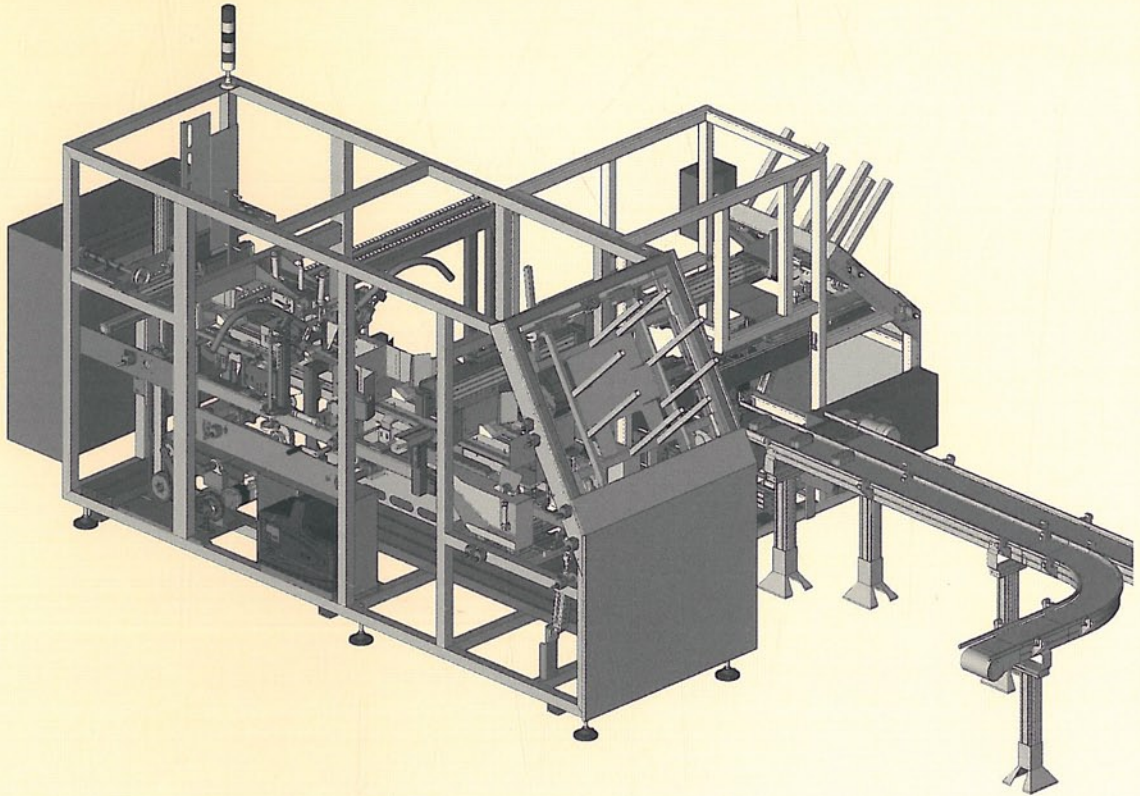
SRP

- 1 Blank magazine display tray
- 2 Cardboard in U-shape
- 3 Inserting pack pattern
- 4 Blank magazine lid
- 5 Positioning + gluing lid
- 6 Outfeed filled shelf ready packaging



Specifications

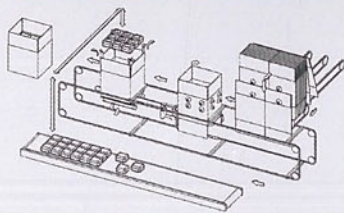
- Capacity: up to 20 case per minute.
Depending on size and pack pattern
- Case dimensions: L x W x H
From 200 x 200 x 100 mm
up to 500 x 400 x 400 mm
Other dimensions upon request
- Closing with hotmelt
- Voltage: 3 x 400V (±5%) + N + PE / 50Hz
- Electric supply: 14,5 kW
- Equipped with vacuum pump



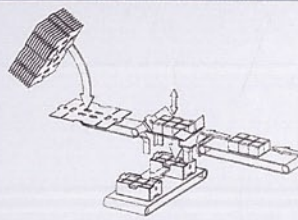
A WIDE RANGE OF DISPLAY TRAYS MADE BY AVERCON



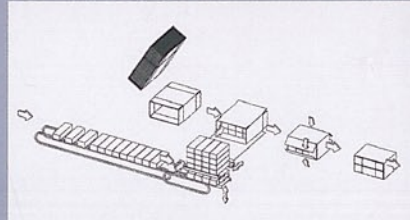
SOME EXAMPLES OF OTHER AVERCON PACKAGING MACHINES



Top loader

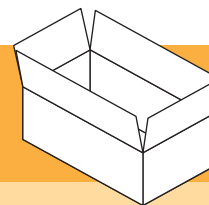


Tray maker filler



Side loader

The details supplied in this document are for information only and may be altered at any time.
09/2008



Machine to erect RSC cases with hotmelt or tape (Fefco 0201): capacity 10 per minute

- Easily accessible blank magazine
- Transport system independent on width tolerance of cases
- Possible to use heavy as well as light quality corrugated cardboard
- Easily accessible machine
- Simple construction with minimum maintenance
- Modular machine adaptable to hotmelt or tape
- Right and left machine possible
- Optional: Fefco 0200 and 0202



Reliable opening system



Long flap deflection



Perfectly square case bottom



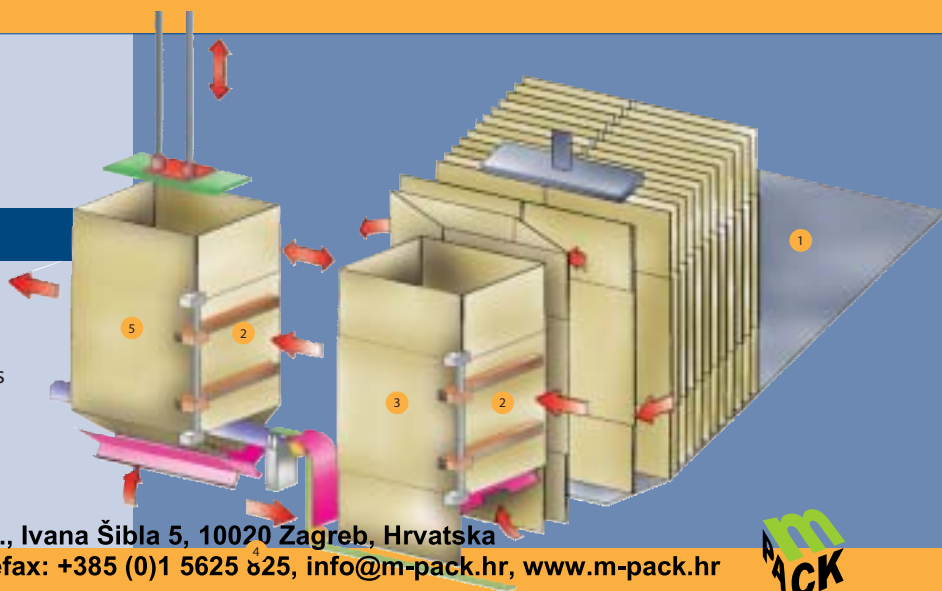
Solid flap folding device



Fast and easy changeover

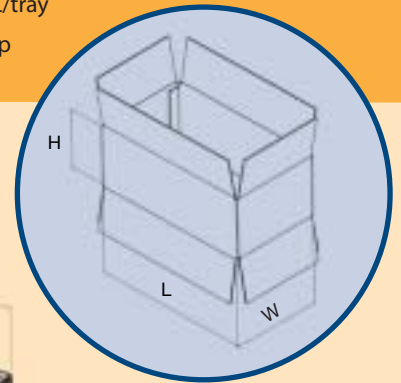
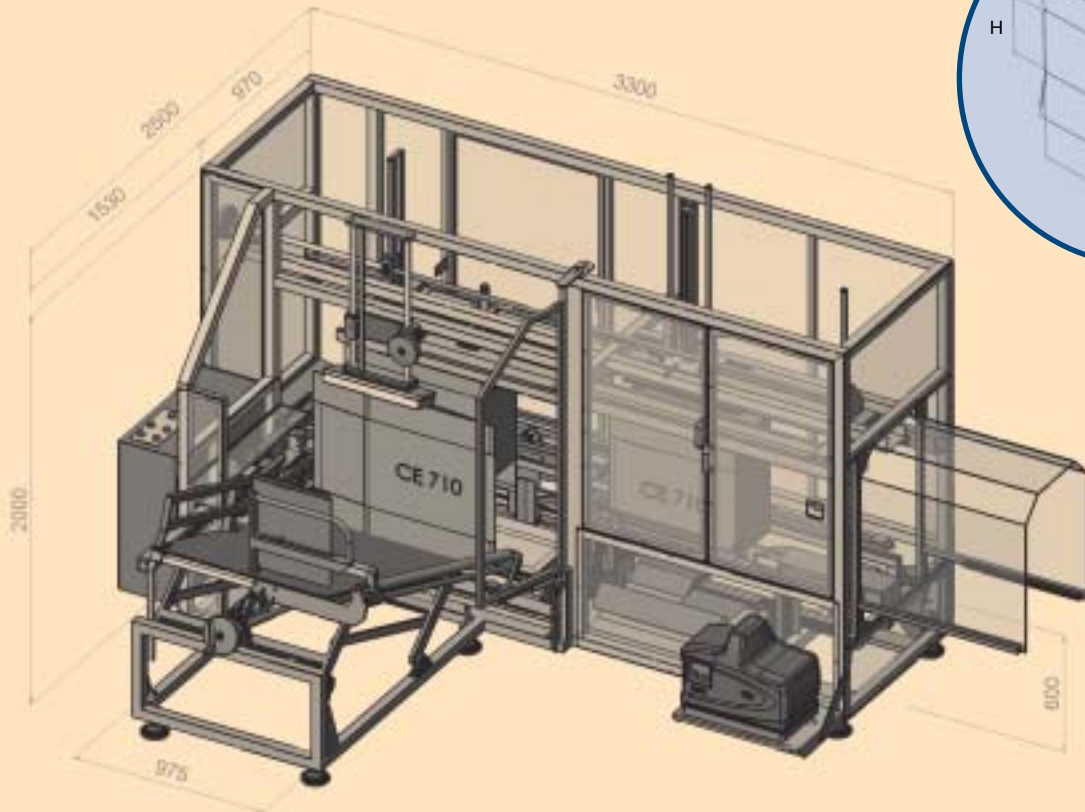
CE 710

- 1 Cardboard blanks magazine
- 2 Transfer mechanism
- 3 Case erection + closing of short sided flaps
- 4 Hotmelt application/tape
- 5 Closing of long sided flaps

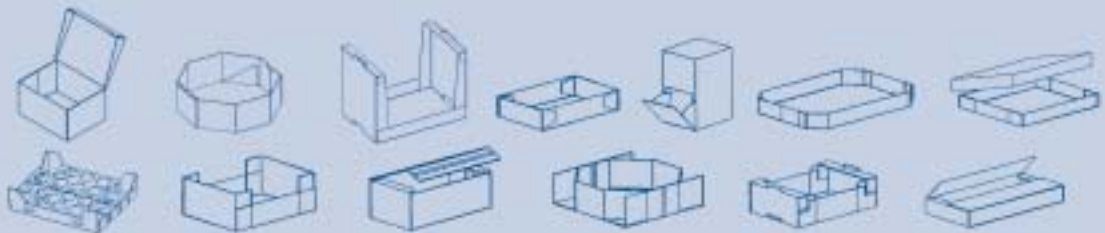


Specifications

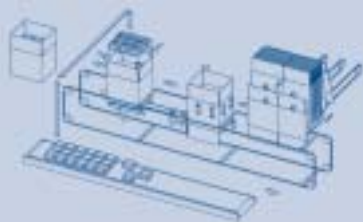
- Capacity: 10 cases per minute
- Case dimensions: L x W x H
from 300 x 200 x 120 mm
up to 650 x 450 x 450 mm
(other dimensions upon request)
- Closing with hotmelt or tape
- Voltage: 3 x 400V (±5%) + N + PE / 50Hz
- Electric supply: 2,2 - 6,0 kW
- Air supply: 43 NL/tray - 94 NL/tray
- Equipped with vacuum pump



A WIDE RANGE OF TRAYS MADE BY AVERCON



SOME EXAMPLES OF OTHER AVERCON PACKAGING MACHINES



Top loader

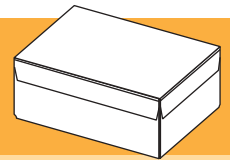


Lid applicator



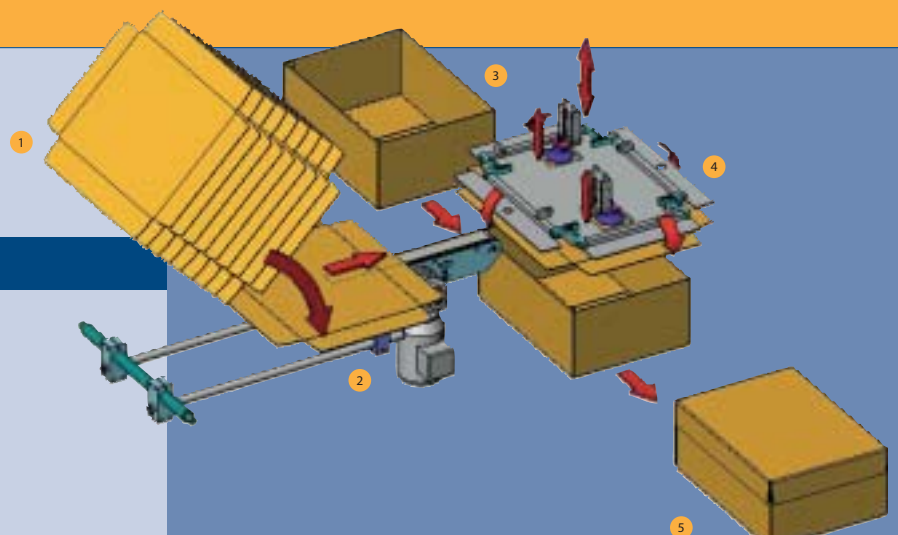
Side loader

The details supplied in this document are for information only and may be altered at any time.



**LAG 10 machine for max. 10 lids/min. or LAG 20 machine for max. 20 lids/min.
Machine to glue lid on case or tray**

- Simple and solid construction
- Possible to work with different heights of cases
- Possible to work with different heights of cases without changeover
- Possible to work with different case dimensions
- Easy changeover (optional: automatic changeover)
- Secure way to close open case or tray

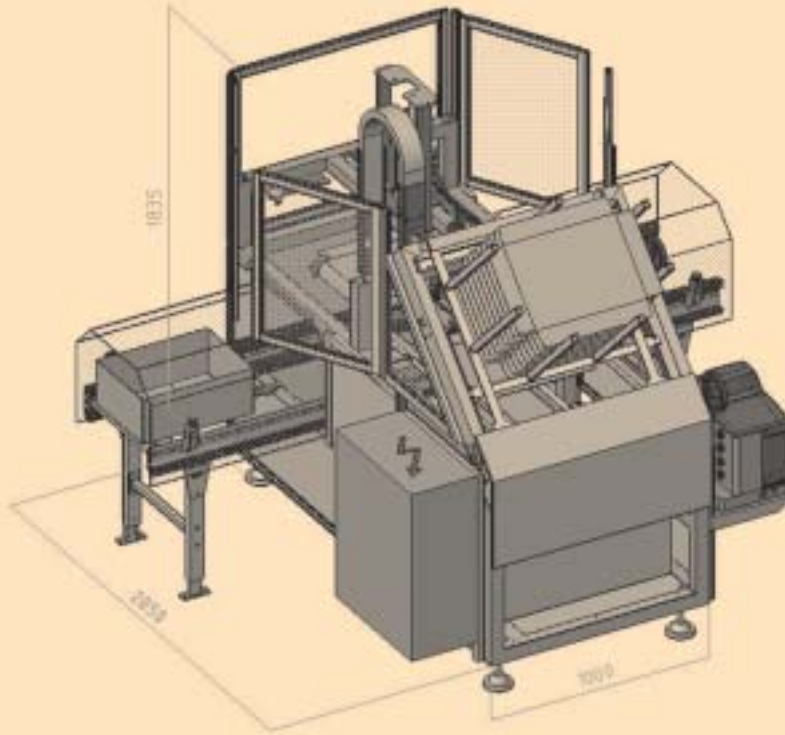


LAG 10

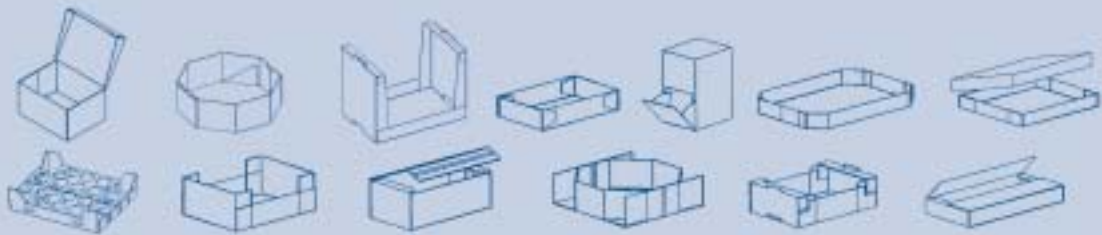
- 1 Cardboard blank magazine
- 2 Infeed and gluing of lid
- 3 Infeed and gluing of case
- 4 Positioning of lid on case
- 5 Outfeed of box

Specifications

- Capacity:
LAG 10: 10 lids/min, LAG 20: 20 lids/min
- Lid dimensions: L x W x H:
min.: 200 x 150 x 50 mm
max.: 600 x 400 x 50 mm
(other dimensions upon request)
- Electric supply LAG 10: 3x400V+N+PE / 20 A
- Air supply LAG 10: 25 NI/cycle
- Magazine: 500 mm blanks, 1200 mm blanks (optional)



A WIDE RANGE OF TRAYS MADE BY AVERCON



SOME EXAMPLES OF OTHER AVERCON PACKAGING MACHINES



Wrap around

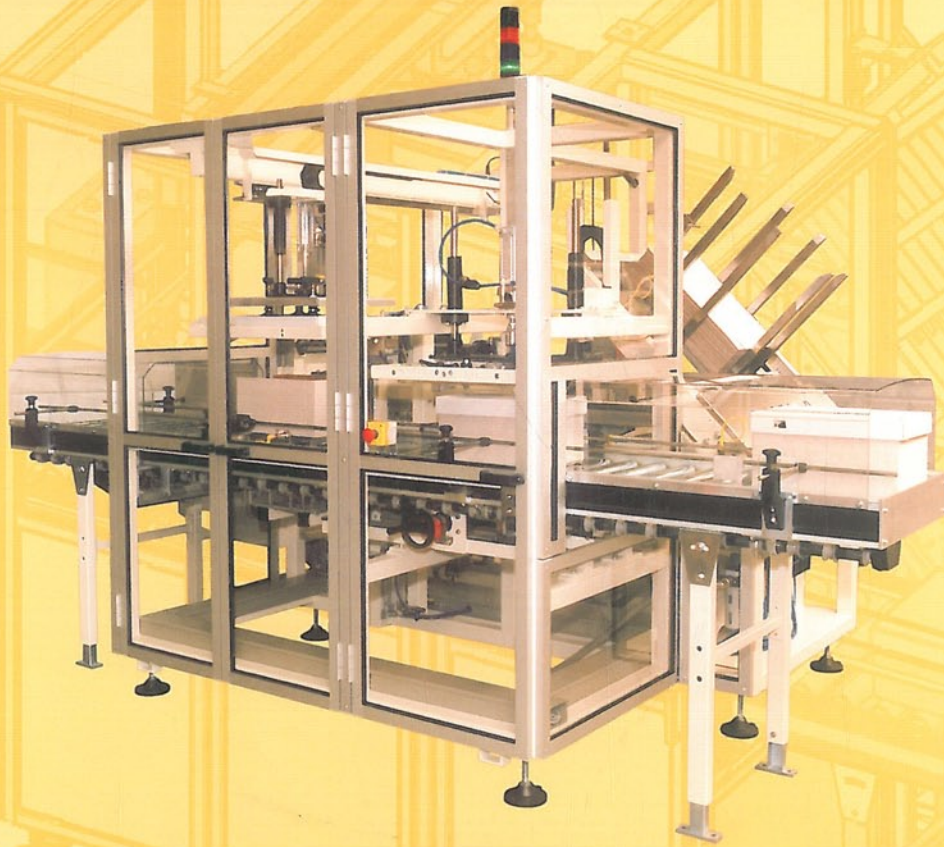
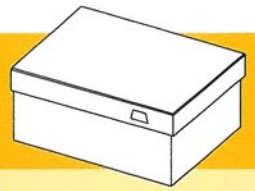


Tray erector



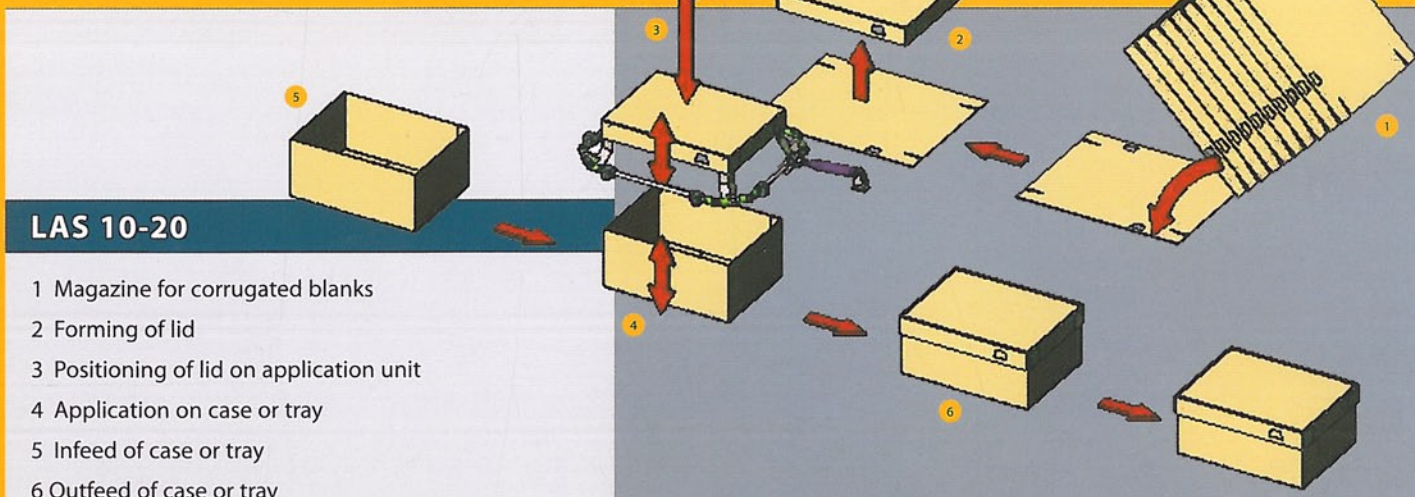
Case erector

The details supplied in this document are for information only and may be altered at any time.



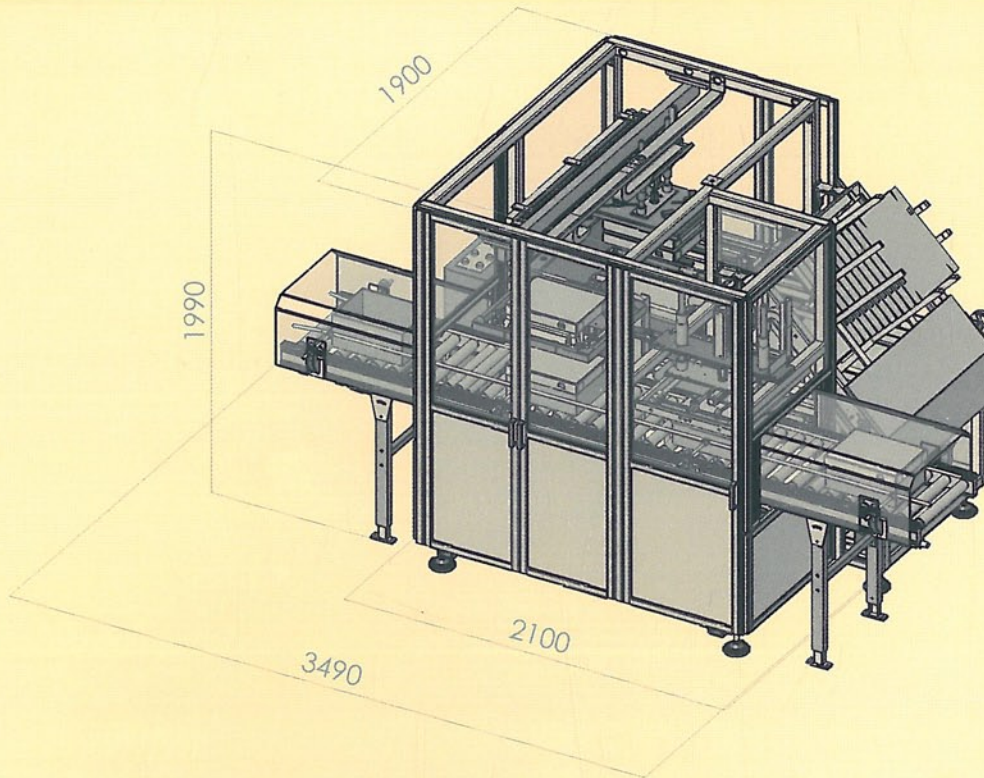
**LAS 10 machine for max. 10 lids/min. or LAS 20 machine for max. 20 lids/min.
Machine to form and apply lids on case or tray**

- Large size range
- Compact and accessible machine
- Easy and fast changeover
- Machine capable of handling lids with:
 - mechanical lock
 - glue lock
 - same height as case or tray
- Simple and solid construction with minimal maintenance
- Perfect positioning of lid even on irregular case or tray

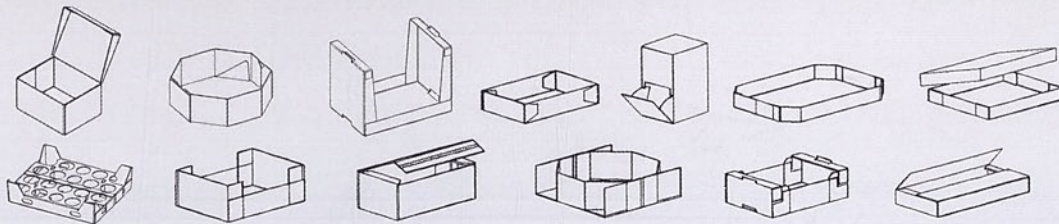


Specifications

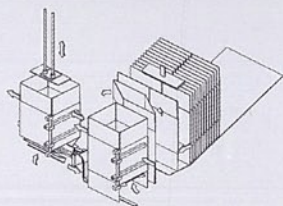
- Capacity
LAS 10: 10 lids/min, LAS 20: 20 lids/min
- Lid dimensions L x W x H:
minimum: 200 x 150 x 50 mm
maximum: 600 x 400 x 50 mm
(other dimensions upon request)
- Electric supply: 3 x 400 V+N+PE, 16A
- Air Supply:
LAS10: 52 NI/cycle
LAS 20: 41 NI/cycle
- Magazine: 500 mm blanks, 1200 mm blanks (optional)



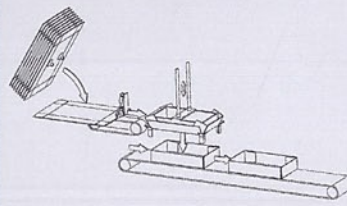
A WIDE RANGE OF TRAYS MADE BY AVERCON



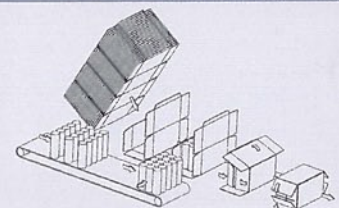
SOME EXAMPLES OF OTHER AVERCON PACKAGING MACHINES



Case erector

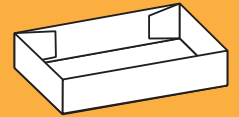


Tray erector



Wrap around

The details supplied in this document are for information only and may be altered at any time.

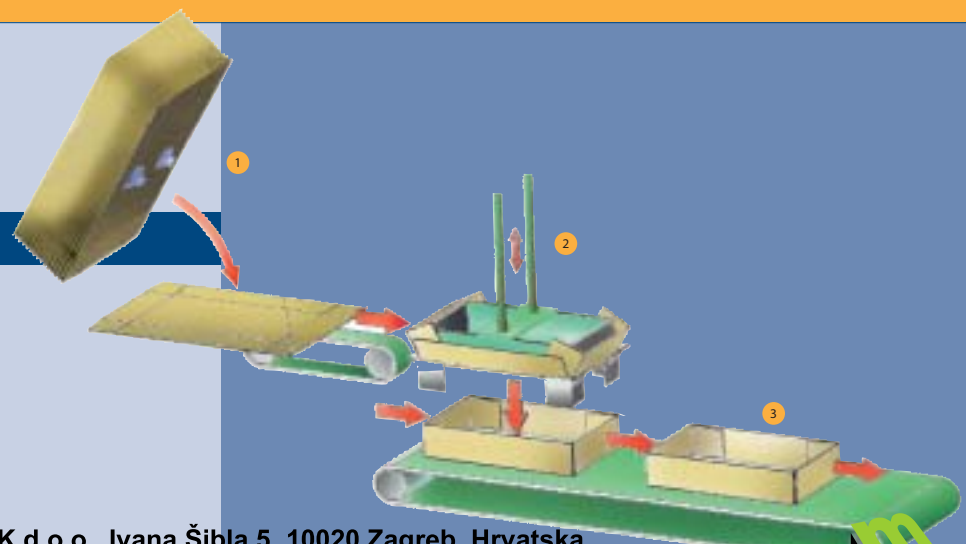


This machine has been developed to automatically erect trays made of solid or corrugated cardboard using hotmelt glue

- Easy & fast changeover (for the smallest models a simple change of a preset indication)
- Optional: automatic changeover.
- Range of machines suitable for various tray designs such as: nestable trays, leak proof packaging, octagonal trays, trays with attached lid, trays for fruits and vegetables with ledges and for strengthened corners, etc.
- Easy synchronisation with other equipment.

TE 140

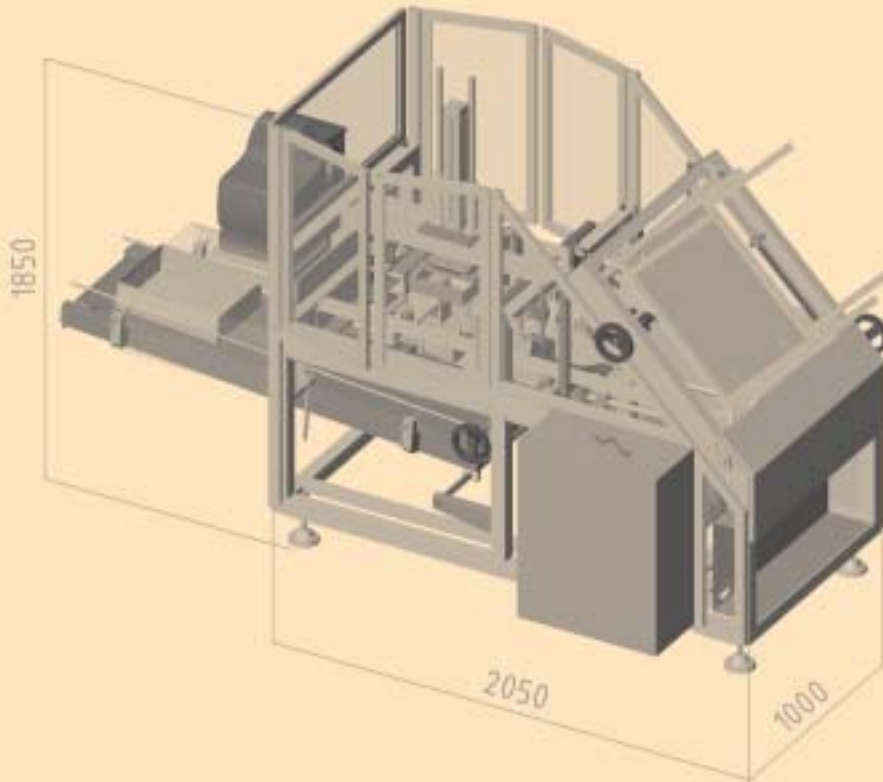
- 1 Magazine for corrugated blanks
- 2 Erecting of tray
- 3 Driven belt



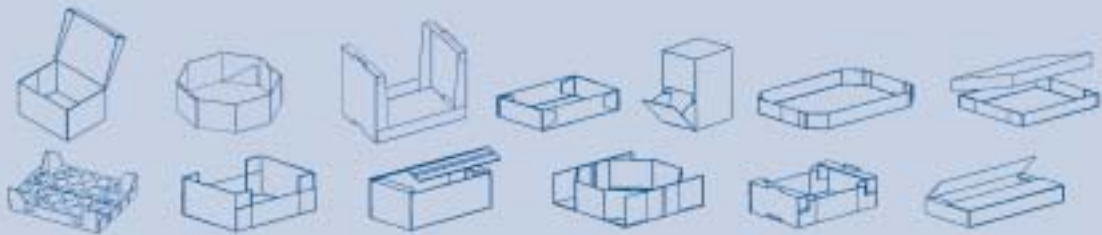
Specifications

- Capacity: up to 40 cases per min. (depending on size)
- Corrugated blank dimensions up to 700 x 700 mm (larger dimensions upon request)
- Closing with hotmelt
- Voltage: 3 x 400V (±5%) + N + PE / 50Hz
- Electric supply: 4kW
- Air supply: 25 NL/tray
- Equipped with vacuum pump

The machine dimensions depend on case size



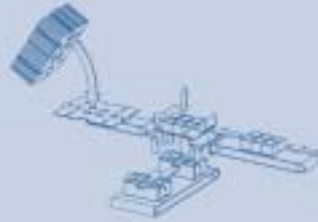
A WIDE RANGE OF TRAYS MADE BY AVERCON



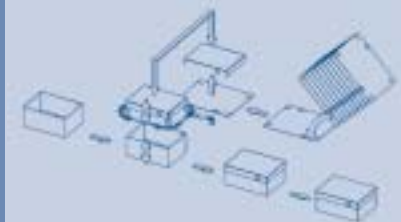
SOME EXAMPLES OF OTHER AVERCON PACKAGING MACHINES



Case erector

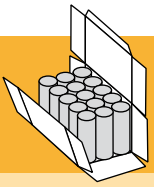


Tray maker filler



Lid applicator

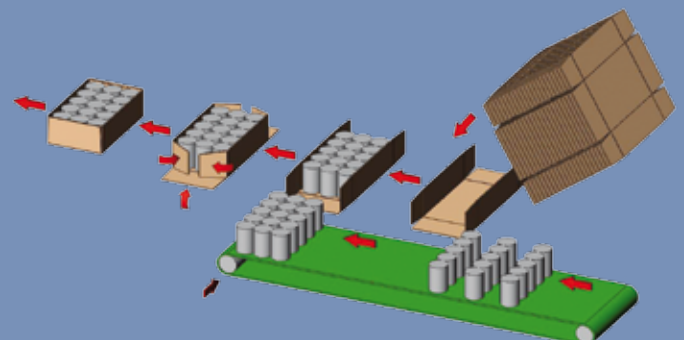
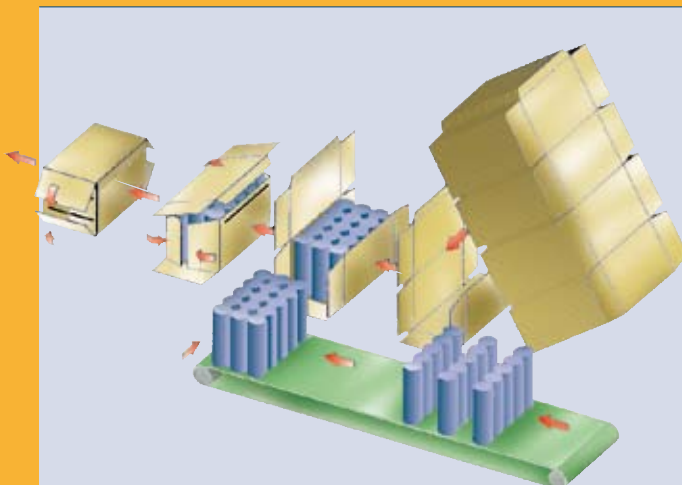
The details supplied in this document are for information only and may be altered at any time.



WA 107: machine with 2 stations / WA 315: machine with 4 stations

The Wrap Around machine automatically erects, loads and closes wrap around blanks

- Large size range
- Compact and accessible machine
- Easy & fast changeover
- Flap sealing with hotmelt glue
- Machine capable of handling various packaging models
 - "Full" wrap around
 - Wrap around with shortened flaps
 - Trays
 - Others upon request

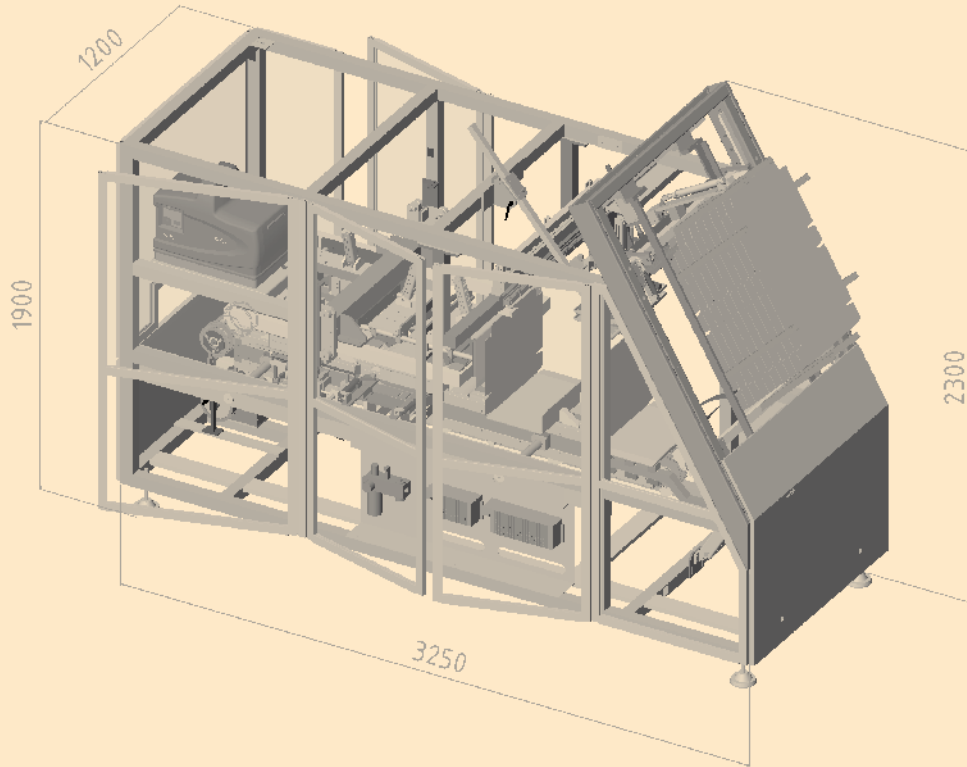


Specifications

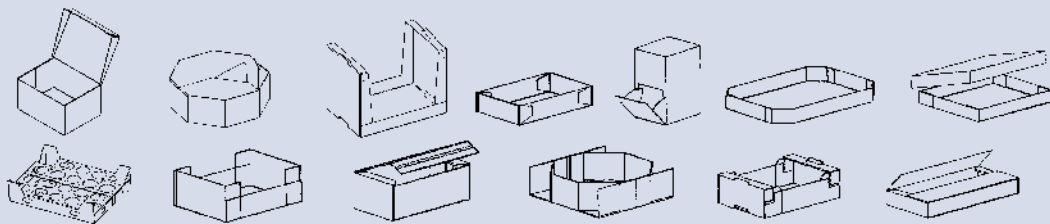
- Capacity: up to 18 wrap-around cases per min. Depending on size and packpattern.
- Case dimensions: L x W x H from 200 x 200 x 100 mm up to 800 x 500 x 400 mm (other dimensions upon request)

- Closing with hotmelt
- Voltage: 3 x 400V (±5%) + N + PE / 50Hz
- Electric supply: 4,5 kW
- Equipped with vacuum pump

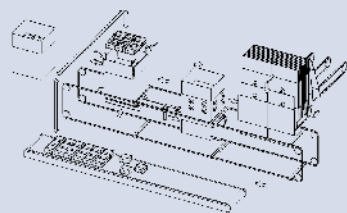
The machine dimensions depend on case size and packaging model.



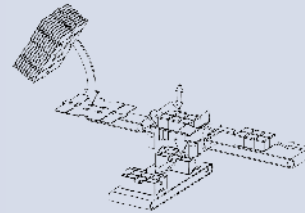
A WIDE RANGE OF TRAYS MADE BY AVERCON



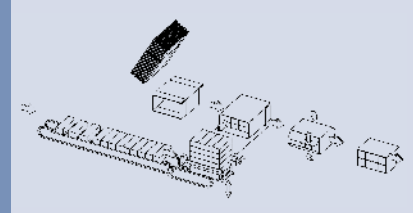
SOME EXAMPLES OF OTHER AVERCON PACKAGING MACHINES



Top loader



Tray maker filler



Side loader

Avercon presents a packaging innovation

Once more Avercon shows itself to be a master in packaging. It is launching a new cardboard packaging and packing machine, which packs bottles and beakers *shelf-ready* - a packaging innovation that asks to be opened immediately!

An innovation!

Because, thanks to this packaging, shelf fillers will from now on refill shelves in the wink of an eye, and in an attractive and environmentally friendly manner. This *shelf-ready* packaging excels in:

- **Visibility**

The commercially attractive packaging does *not* hide the products - it only covers the bottom with a small cardboard edge.

- **Simplicity**

Filling the shelves has never been easier: A knife or scissors are no longer required - you simply slip the *tray* onto the shelf.

- **Environmental friendliness**

The packaging only consists of cardboard, which means there is only one waste product - very handy for recycling.

For packaging companies it means that their production will be quicker and simpler. The innovative *shelf-ready* packaging machine excels in:

- **Speed**

- The machine works at a very high speed: It produces 25 cartons per minute, regardless of the size.
- The packaging speed adapts to the infeed speed and the content of the boxes. The result? A steady operation of the machine, with less wear and tear and lower energy consumption.
- The machine is easy to convert, whereby the *output* remains constant.

- **Ease of use**

- Only a minimal number of accessory parts are required and they are simple to use.
- Feedback is used, when new manual settings are made or different accessories are selected. The servomotors and actuators are automatically set to the new position. The machine rechecks the settings and the accessories before starting.

- The new removal system is located *above* instead of *below* the cardboard box. The result? The system for taking a cardboard box from storage starts its return cycle, before it transports of the carton further.
- **Changeover**
 - A single machine switches smoothly between three different packaging types: A closed packaging (*wrap-around*), a display tray and a *shelf-ready* tray with cover.
 - The machine slips the products over plates onto the tray or into a box - a totally different way of working than the classic *top-loading* method. This means that no specific gripping head is required. And the equipment does not have to be changed, when the type of bottle or beaker changes.
 - The machine easily adjusts to the various formats and types of boxes.

A new machine that wraps it up for you

High output linked to *low* production costs: Let yourself get carried away by the advantages of the new *shelf-ready* packaging machine from Avercon.

- **Higher production**

This machine combines high speed with fewer accessories and a perfect feedback system. That means that a conversion of the machine is very smooth; no more faltering production with all kinds of new adjustments. Due to the feedback system everything runs correctly from the start. The result? More *output*, which also remains constant with smaller boxes.
- **Lower costs**

As a company manager, you only have to buy *one* machine for *three* different types of packaging: A closed packaging (*wrap-around*), a display tray and a *shelf-ready* tray with cover. And the packaging, too, helps you to save money, because it is made with less cardboard than standard packaging: This is good for the environment and your budget.
- **Fewer cares**

A user-friendly machine? You can operate it in no time at all. That means that less experienced operators can also work with it - extremely handy during understaffed vacation periods. And fewer of your employees will quit because of back pains, because the compact and light accessories of the *shelf-ready* packing machine are designed to think about their ergonomics.
- **More packaging possibilities**

Bottles, flasks or beakers made of glass or plastic: Our machine packs them all.

That's ideal for manufacturers of, among others, oils, sauces, drinks, detergents and chemicals.

Innovation: Commercially attractive packaging

This *shelf ready* packaging, with a base and a cover made of corrugated cardboard, is ready to compete with classic packaging, such as American cardboard boxes. Those you will usually tear open along the perforation edge, or you will cut them open with a knife. This is commercially not optimal, because a part of the packaging continues to cover the product. And it is sloppy, because the tear or cutting edge will look ragged.

The *shelf-ready* packaging from Avercon gets rid of the disadvantages. It is practical, because the cover can be simply removed without tearing or cutting. Neatly, because you do not see any frayed tears or cutting edges. And commercially attractive because, with the exception of a small edge at the bottom, the product is completely visible. An extra advantage: The smart form of the cover saves cardboard, which is good for your budget and for the environment.

Innovation: Practical production

The most attractive innovation of the *shelf-ready* packaging machine? It's faultless feedback system. It combines high-speed with smooth conversion, which functions correctly from the first change in settings. After that, the machine gets down to work in the following way:

- Single-track infeed of products;
- Even distribution of products over several tracks - synchronised with the packing pattern.
- Distribution by box with products;
- Stepwise production:
 1. Gluing and forming the cover;
 2. Positioning the cover on the products;
 3. Sliding the cover and the product into the open tray;
 4. Gluing and forming the tray.

Attention: For a closed or a *wrap-around* packaging, the machine does not add a cover. It immediately slides the products into the cardboard and then wraps it around.